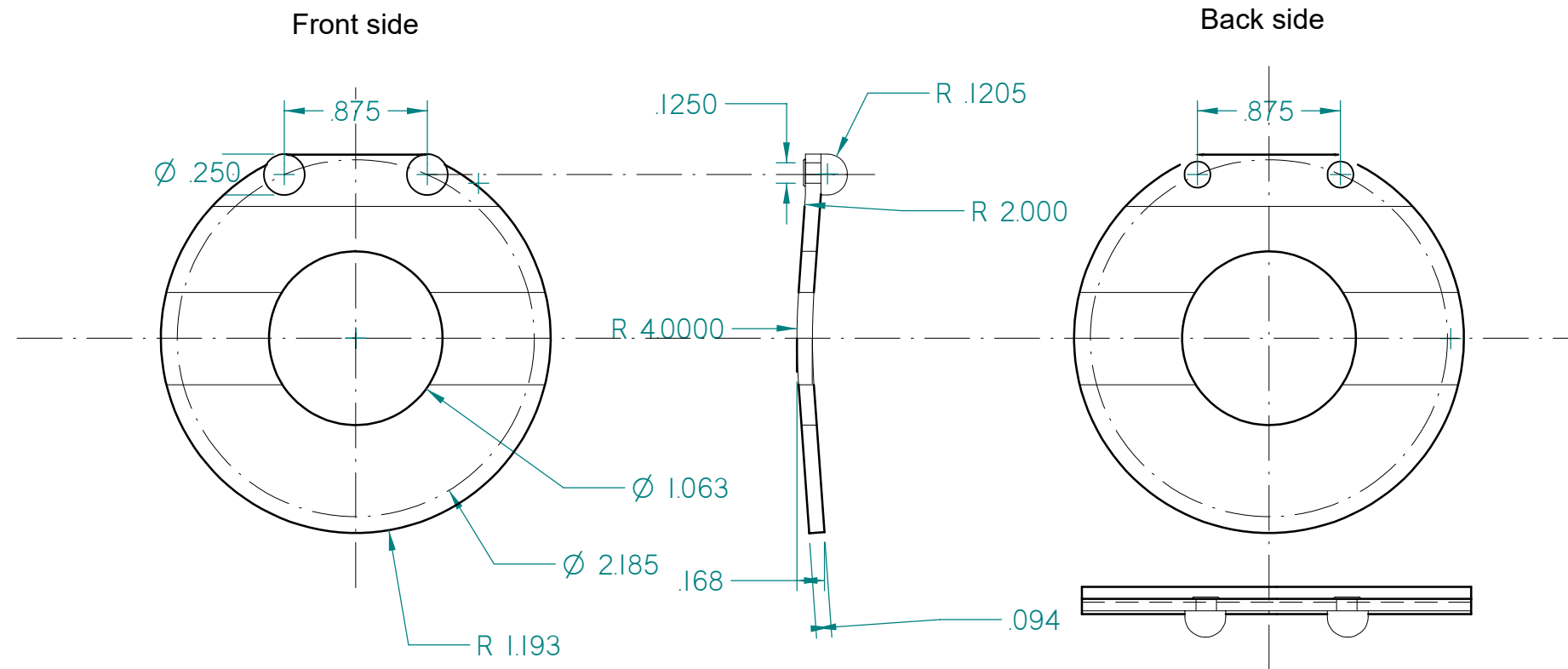
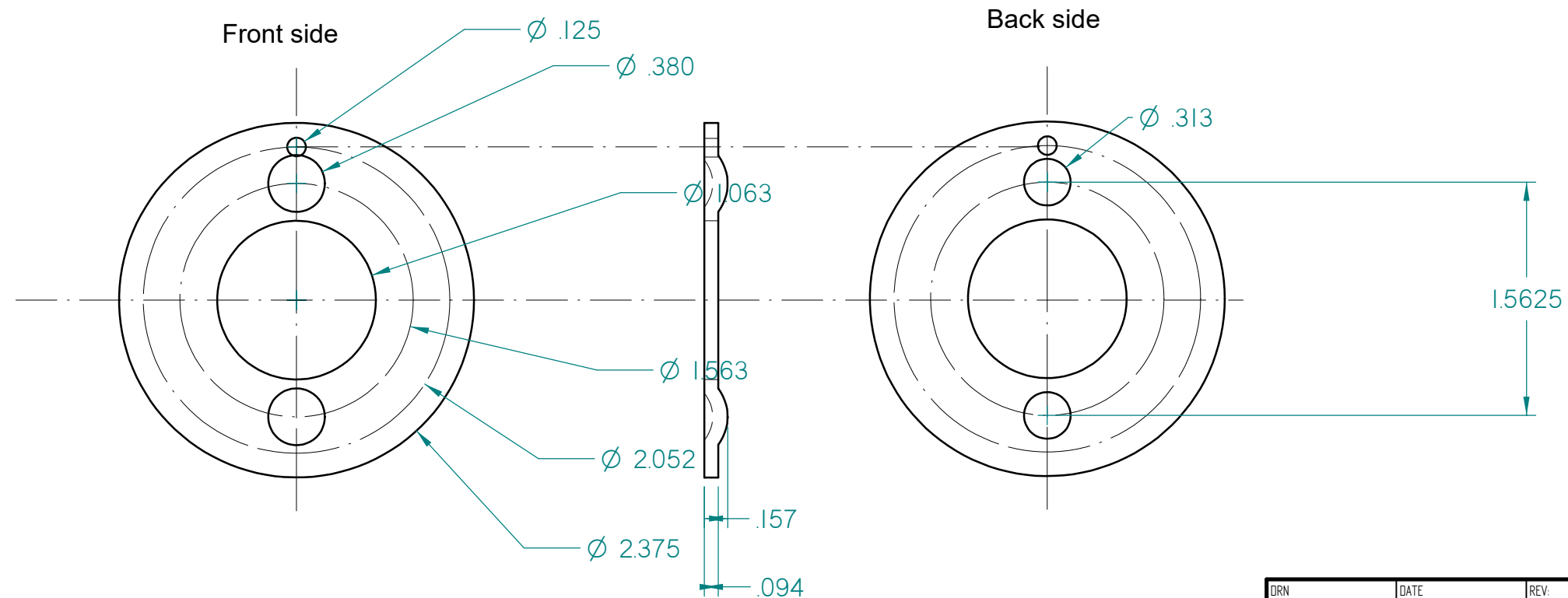


Spring disk



Pressure distribution disk



DRN	DATE	REV.				
0.H	24.08.20	A				
WindTec		Tverrvegen 36 6020 Ålesund, Norway Phn: +47 91770653 Email: ola@windtec.no		PROJECT: SPRING DISK AND PRESSURE DISTRIBUTION DISK, ANDREX SHOCK ABSORBERS Type TE1		
Winding Technology as				DRAWING NO:	240820.OH	SCALE: 2 : 1
				DIM:	Inc.	